

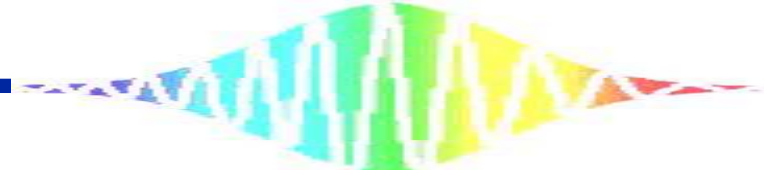
学会報告 宿題

CLEO-PR 2013

June 30 – July 4, 2013

Kyoto International Conference Center, Kyoto, Japan

M1 林 建太



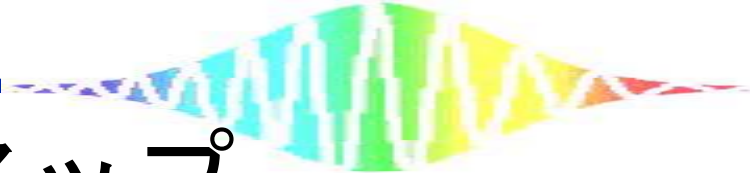
Adaptive Dual-Comb Spectroscopy with Free-Running Lasers

Takuro Ideguchi, Antonin Poisson, Guy Guelachvili, Nathalie Picqué and Theodor W. Hänsch.

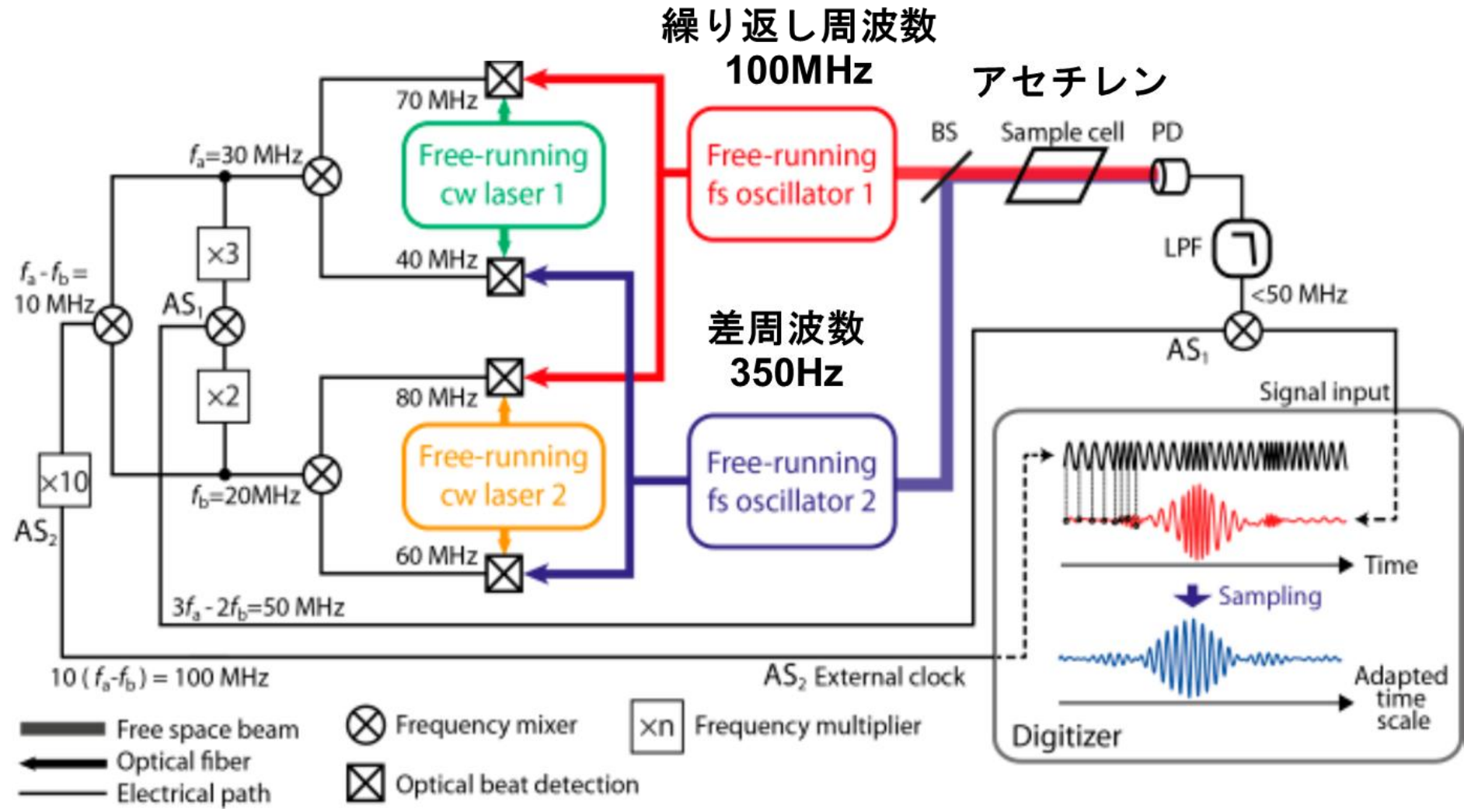
Max Planck Institut für Quantenoptik, Hans-Kopfermann-Str. 1,
85748 Garching, Germany

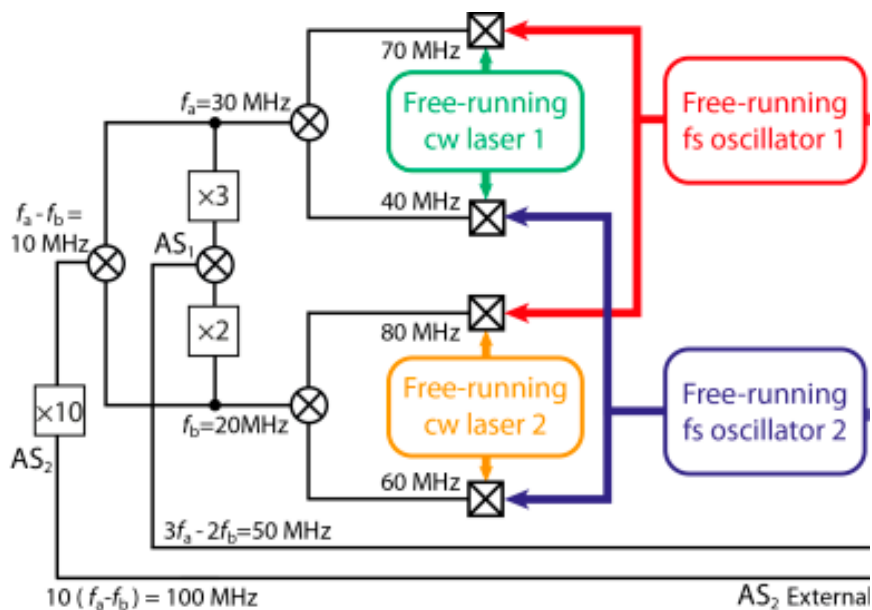
Institut des Sciences Moléculaires d'Orsay, CNRS, Bâtiment
350, Université Paris-Sud, 91405 Orsay, France

Ludwig-Maximilians-Universität München, Fakultät für Physik,
Schellingstrasse 4/III, 80799 München, Germany



実験セットアップ





$$f_{b1} = f_{CEO1} + m_1 f_{rep1} - f_{CW1}$$

$$f_{b2} = f_{CEO2} + m_2 f_{rep2} - f_{CW1}$$

$$f_a = f_{b1} - f_{b2}$$

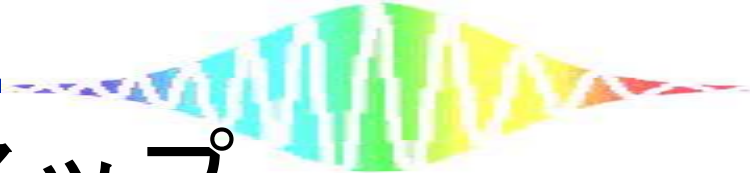
$$= f_{CEO1} - f_{CEO2} + m_1 f_{rep1} - m_2 f_{rep2}$$

同様にして

$$f_b = f_{b3} - f_{b4}$$

$$= f_{CEO1} - f_{CEO2} + n_1 f_{rep1} - n_2 f_{rep2}$$

- $3f_a - 2f_b = f_{CEO1} - f_{CEO2} + 3(f_{rep1} - m_2 f_{rep2}) - 2(n_1 f_{rep1} - n_2 f_{rep2})$
- $f_a - f_b = (m_1 f_{rep1} - m_2 f_{rep2}) - (n_1 f_{rep1} - n_2 f_{rep2})$



実験セットアップ

